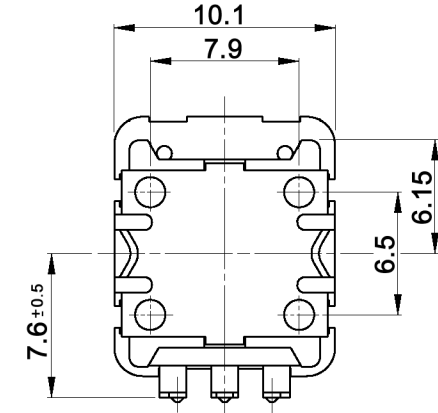
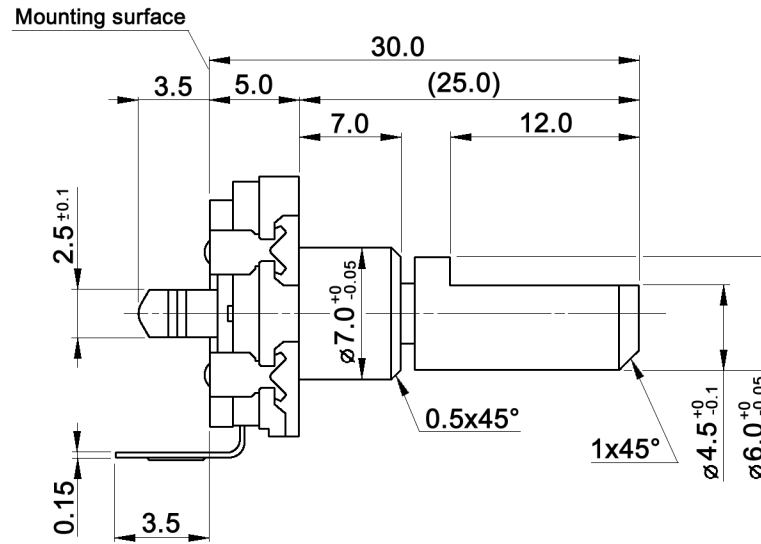
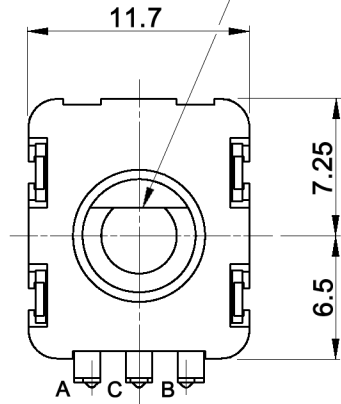
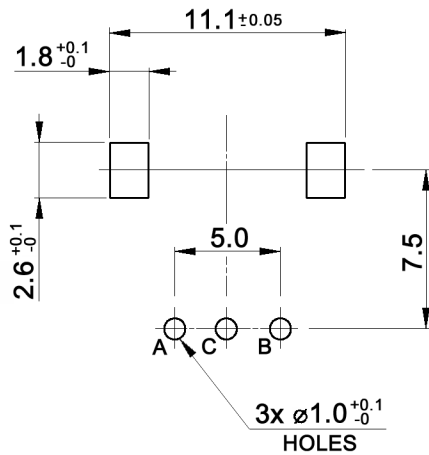


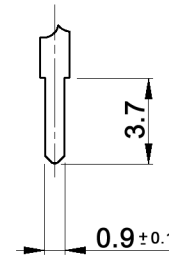
Shaft flat is optional angle



P.C.B. MOUNTING
t=1.6mm



TERMINAL DETAIL

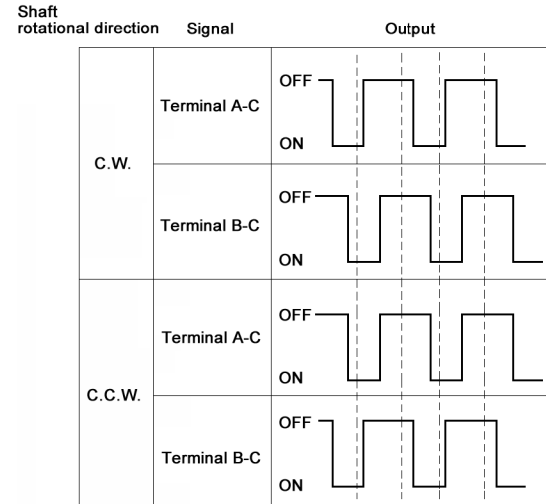


Tolerances: ≤10: ±0.3mm 10-100: ±0.5mm			Date	Name	<h1>MER11-15125B</h1>
			04/08	dr	
			knitter-switch		<h2>30 14 55</h2>
Temperatures	07/08	dr			
Modifications	Date	Name			Page 1/2

Specifications:

Contact rating: 10mA, 5V DC (1mA min.)
 Insulation resistance: 100MΩ min. at 250V DC / 1mA
 Dielectric strength: 300V AC for 1 minute
 Operating temperature: -40°C to +85°C
 Storage temperature: -40°C to +85°C
 Rotational life: 15 000 cycles
 Detent torque: 11 +/-8mNm
 Resolution: 15 pulses
 No. of detents: 30 detents; step angle: 12° +/-3°
 Soldering conditions: 260 +/-5°C, 5 +/-1.0sec.

OUTPUT SIGNAL FORMAT



Tolerances: ≤10: ±0.3mm 10-100: ±0.5mm		Date	Name	<h1>MER11-15125B</h1>
		04/08	dr	
		knitter-switch		<h2>30 14 55</h2>
Modifications		Date	Name	Page 2/2